

## Process Gas Chromatographs

### MicroSAM

#### Overview



The MicroSAM is a miniaturized process gas chromatograph (GC) in an Ex d enclosure. Through consistent use of micro-system technology (silicon wafer technology), all analytical components are concentrated in the smallest possible area. The design particularly enables a distributed installation close to the process.

#### Benefits

- The distributed field installation reduces investment costs, and opens up new fields of application, e.g.:
  - Installation in plant areas where mounting within an analyzer shed is not possible
  - Installation at remote locations without extended infrastructure
- Reduction in laboratory analyses through online measurements
- Low space requirements in analysis cabinets reduce investment costs
- Low maintenance effort and gas/energy consumption reduce operating costs
- High-resolution capillary columns permit fast analyses
- Live injection permits representative sample injections
- Maintenance-free, valveless separating column switching with electronic pressure controllers
- The use of several micro thermal conductivity detectors (multidetection) provides exact measuring results and also validation possibilities
- Versatile networking possibilities for central maintenance and secure data transfer
- Remote monitoring with Windows-based software and Ethernet communication
- Simplified servicing through replacement of modules

#### Application

##### **Chemical industry**

- Analysis of ethylene in 1.2-dichloroethane (EDC) for process control
- Fast determination of nitrogen in acetylene for process control
- Hydrocarbon analysis of starting product (LPG) of a cracker
- Safety measurement of ethylene oxide during unloading of tankers
- Multicomponent analysis in ethylene oxide
- Analysis of methanol, water and dimethylether in a pilot plant
- Monitoring of coolant: Trace monitoring in chloromethane
- Analysis of nitrogen and hydrogen in pure gas of a chlor-alkali plant

##### **Oil & gas**

- Hydrogen analysis in recycled gas and other process gases
- Analysis of inert gases and low-boiling paraffins/olefins in combustion gas
- Analysis of hydrogen and low-boiling hydrocarbons in reformer/platformer plant
- Trace analysis of impurities in acetylene from a cracker
- Analysis of ethane in ethylene from a cracker
- Measurement of calorific value in exhaust gas for quality control in a power plant
- Analysis of ethylene in methane in an ethylene plant
- Analysis of propadiene and propine in the C<sub>2</sub> splitter of a steam cracker
- Analysis of low-boiling hydrocarbons in an ethylene plant/visbreaker
- Analysis of exhaust gas in flares
- Analysis of gas loop in a propylene oxide plant
- Analysis of CO in crack gas in an LDPE (low-density polyethylene) plant
- Analysis of refinery gas in a pilot plant
- Analysis of calorific value in natural gas preparation plants

##### **Iron & steel**

Analysis of exhaust gas in blast furnaces.

##### **Pharmaceutical industry**

- Analysis of O<sub>2</sub>, N<sub>2</sub>, CO<sub>2</sub> and water in fermenting processes
- Analysis of alcohols in nitrogen for vacuum drying plants

##### **Metals, aggregates, cement**

Analysis of mine gas for inert gases and hydrocarbons.



**Design****Enclosure**

- EEx d version standard
- Heating adjustable from 60 to 165 °C (isothermal)
- Decentralized installation close to sampling point

**Analytical module**

The compact analytical module contains all the functional components of a chromatograph. The MicroSAM works with:

- Live injection
- Valveless live switching on microchip basis
- Standardized analytical modules
- Multidetector through use of up to 8 micro thermal conductivity detectors (TCDs) in the smallest possible area (e.g. on all column/purging outputs and injection)

**Function****Live injection**

The MicroSAM has a two-stage injection system. Using a micro injection valve, a defined quantity of sample is first brought up to the carrier gas pressure. This eliminates the pressure-dependent error in the dosing quantity present with conventional systems. In the second stage, the sample is transferred to the column by a valveless micro injection system (live dosing). The result is an "active" injection.

The injection volume can be varied time-controlled, and exactly matched to the column requirements.

**Valveless live column switching**

Because of the high dead volume of conventional valves, only the valveless version can be considered for a miniaturized system. In this case, the generation of differences in flow using several electronic pressure regulators at appropriate positions of the column setup causes a change in the flow directions. (The system operates according to the Wheatstone principle, but pneumatically.) The functions "Cut" and "Backflushing" can then be implemented free of dead volume.

**The column system**

The column system consists of two or three capillary columns connected in sequence. Micro TCDs or micro live circuits are installed in sequence ("inline") upstream and downstream of the individual columns. Three electronic pressure regulators supply the columns with carrier gas and carry out the switching functions (injection, backflushing and cut).

By using narrow-bore capillary columns, the separation at high resolution is carried out within a much shorter time, approx. factor 2 to 3 compared to standard capillary columns.

**Electronic pressure regulators**

A high pressure stability together with rapid changing rates in the hPa range are required for precise and fast switching. This is achieved in the electronic pressure regulators by means of a piezo actuator.

**Detector**

The micro TCDs (based on silicon wafer technology) work on the principle of continuous measurement of the different thermal conductivities of the carrier gas and the components to be measured.

The measurement can be carried out without falsification by avoiding catalytic effects on the heating wires and maintaining a constant flow velocity. This permits consistent in-line detection, i.e. without qualitative or quantitative losses of substances.

**Application modules**

The application modules contain live injection and live switching. The modules D06, D08 and D11 have one separating column less than the modules D01, D02 and D09. The modules D06, D08 and D11 have one detector less than the modules D01 and D02. The application modules are suitable for separation of the components described below. However, when defining the suitable application module for an actual, customer-specific measuring task, technical evaluation by our Support Team is required.

D01, D02 and D08:

These modules contain separating columns that can be impaired in their separating performance by humidity in the carrier gas. For this reason, a carrier gas dry filter (filter set: Article No. A5E00400116) is integrated for these modules on the support bracket of the MicroSAM or supplied as a separate part as standard.

The application modules are suitable for separation of the components described below.

	Detector	Column 1	Detector	Column 2	Detector	Circuit	Column 3	Detector
<b>D01</b>								
Injection	TCD	SiI5 C3, C4, C5, C6+	TCD	PoraPLOT/Porabond Q CO <sub>2</sub> , C2, H <sub>2</sub> S, H <sub>2</sub> O	TCD	Live	Molecular filter H <sub>2</sub> , (Ar+O <sub>2</sub> ), N <sub>2</sub> , C1, CO	TCD
<b>D02</b>								
Injection	TCD	SiI5 C5+	TCD	SilicaPLOT C2, C3, C4 (saturated, unsaturated), C5+	TCD	Live	Molecular filter H <sub>2</sub> , (Ar+O <sub>2</sub> ), N <sub>2</sub> , C1, CO	TCD
<b>D09</b>								
Injection	-	SiI5 Non-polar aromatic and aliphatic hydro- carbons	TCD	SiI5 Non-polar aromatic and aliphatic hydrocarbons	TCD	Live	Porabond Q All components except molecular filter components	TCD

Application modules D01, D02 and D09



## Process Gas Chromatographs

### MicroSAM

	Detector	Column 1	Detector	Circuit	Column 2	Detector
<b>D06</b>						
Injection	TCD	Sil5 Non-polar aromatic and aliphatic hydrocarbons	TCD	Live	Sil5 Non-polar aromatic and aliphatic hydrocarbons	TCD
<b>D08</b>						
Injection	TCD	Porabond Q All components except molecular filter components	TCD	Live	Molecular filter H <sub>2</sub> , (Ar+O <sub>2</sub> ), N <sub>2</sub> , C <sub>1</sub> , CO	TCD
<b>D11</b>						
Injection	TCD	RTX-5+ RTX-200 Non-polar aromatic and aliphatic hydrocarbons and medium-pole components such as chlorosilane	TCD	Live	SilicaPLOT C <sub>2</sub> , C <sub>3</sub> , C <sub>4</sub> , C <sub>5</sub> , C <sub>6</sub> (saturated, unsaturated)	TCD

Application modules D06, D08, and D11

#### Application

Various solution concepts are available:

- Adjustment **without** method development (on request)
  - Run-out ex factory  
The application modules are standardized. The functionality of the MicroSAM is proven with a specified carrier gas, exact setting of the oven temperature and the carrier gas inlet pressures, and with a standard calibration gas. The measured components and switching functions (live injection, backflushing, cut) are saved.
  - Commissioning on site  
All application modules are standardized, i.e. the analytical hardware is defined and cannot be changed. The specific settings are carried out on site during commissioning.
- Adjustment **with** method development  
Non-standardized applications require specific method development:  
An optimum solution is elaborated on the basis of an existing specification and a selected calibration gas or with application of a customer sample.



## Technical specifications

## Design, enclosure

Weight	15 kg
Degree of protection	IP65 (NEMA 4X)
Mounting	
Installation on	Post, pipe or wall
Distance from wall or next chromatograph	300 mm (12")
Distance from ceiling or floor	200 mm (8")
Explosion protection	ATEX and IEC Ex: II 2 G Ex d IIC T4 Gb Class I, Zone 1, Group IIB + H2 T4 Class I, Div 1, Groups B, C, D T4 Factory Sealed
Support bracket	
• Mounting part, dimensions (D x H)	380 x 110 mm
• Gas connections	8
• Bracket for gas connection, dimensions (D x H), bracket on right side, mounted at right angle	146 x 110 mm

## Electrical characteristics

Power supply	24 V DC (18.5 ... 30.2 V)
Power consumption	
• Typical	18 W
• Maximum	60 W
• Electrical safety	IEC 61010 / DIN VDE 0411
EMC immunity	According to IEC 60801/ DIN VDE 0843
• Conducted interferences on AC supply lines	
- According to Part 4 (burst)	2 kV
- According to Part 5 (ms pulses), line against line	1 kV
- According to Part 5 (ms pulses), line against ground	2 kV
• Conducted interferences on signal lines	
- According to Part 4 (burst)	1 kV
• Immunity to static discharge	
- According to Part 2 (ESD)	8 kV
• Immunity to fields	
- According to Part 3 and Part 6	10 V/m
• Noise suppression	According to CISPR 11 / EN 55011 / DIN VDE 0875 Limit class B T2.5 A
• Fuse	

## Gas inlet conditions

Permissible sample pressure	10 ... 60 kPa above atmosphere
Sample flow	20 ... 100 ml/min
Max. sample temperature	120°C
Solid components	< 0.1 mm

## Climatic conditions

Permissible ambient temperature	- 20 ... 50 °C (depending on oven temperature)
Permissible storage/transport temperature	- 30 ... 70 °C
Permissible relative humidity	Max. 90 %

## Sample and injection

Sample streams	3
Calibration sample streams	1
Phase	Gaseous
Required filtration	Degree of separation 99.99 % for < 0.1 µm particles
Material with which the sample comes into contact	Stainless steel, fused silica, polyimide
Injection	"Valveless" live injection
• Controller	With multifunctional diaphragm valve
• Injection volume adjustable using switching times	2 ... 50 µl
• Max. operating temperature	165 °C

## Oven

Number/type	1/isothermal
Purging with N <sub>2</sub>	Possible
Dimensions (DxH)	160 x 10 mm
Heating capacity	20 W
Temperature range	60 ... 155 °C
Temperature stability	± 0.1 K (60 ... 155 °C)
Temperature accuracy	± 3 K (60 ... 155 °C)
Retention time variations per 10 °C change in ambient temperature	Approx. 0.3 %
Heating-up period from 30 ... 100 °C	10 minutes

## Columns and gases

Column type	Capillary columns 0.15 ... 0.25 mm/ internal
Separating column switching	Multidimensional chromatography with backflushing and cut in live system
Multifunctional diaphragm valve	For injection and backflushing
Gas connections	Swagelok 1/8"
Pressure regulators	Max. 4 single-channel electronic pressure regulators
Solenoid valves for control of diaphragm valve	2 NC contacts, 2 NO contacts
Carrier gas	H <sub>2</sub> , N <sub>2</sub> , He, Ar
• Gas purity (minimum requirement)	> 99.999 % (5.0)
• Solid components	< 0.1 µm
• Required filtration	Degree of separation 99.99 % for < 0.1 µm particles
• Consumption	10 ... 60 ml/min
• Inlet pressure	500 ... 700 kPa (g) 600 kPa (g) recommended
Instrument air	Important: A continuous carrier gas supply is required for error-free operation (frequent carrier gas failure has a negative effect on the life cycle of the detectors and the internal device pressure regulator. In addition, an external two-layer pressure regulator for the carrier gas pressure is strongly recommended.) Not required



## Process Gas Chromatographs

### MicroSAM

#### Detectors, calibration and performance data

Detector type	TCD, max. 8 sensors
Ambient temperature	Negligible
Vibrations	Negligible
Cell volume	0.02 µl
Calibration	Manual or automatic, single-level or multi-level
Smallest measuring range	1 000 ppm (application-dependent)
Linear range	Typically > 10 <sup>4</sup>
Cycle time	Typically 30 ... 240 s

#### Electrical inputs and outputs

Basic equipment	
• Digital outputs (relay contact 0.4 A / 24 V DC)	4, freely usable (expandable by NAU or I/O Extender, see Communication in "General information")
• Digital inputs (24 V to optocoupler)	4, 3 freely usable (expandable by NAU or I/O Extender, see Communication in "General information")
Interfaces	
• Communication	1 x Ethernet 10BaseT / TCP/IP
• Control system coupling	1 x RS 485 or RS 232 / Modbus RTU, OPC (ODPC) over Ethernet

#### Electronics

Communication and analytical controller (CAC)	
• Microprocessor	Intel 586 architecture
• Flash EPROM	128 MB
• Dynamic RAM	64 MB
• Operating system	Windows CE 5.0
• Software	Preinstalled. Modifications or upgrades for operation PC downloadable via network or locally
Realtime signal processor (RSP)	
• Microprocessor	Motorola 68376, 20 MHz
• Flash EPROM	1 MB
• Static RAM	1 MB
• Operating system	Forth
• Software	Preinstalled. Modifications or upgrades downloadable via internal service interface
Controller	
• Sample streams	3
• Calibration sample streams	1
• Status LEDs for	<ul style="list-style-type: none"> <li>• Supply voltage</li> <li>• Software sign-of-life</li> <li>• Operational readiness</li> <li>• Maintenance request alert</li> <li>• Fault</li> <li>• Sample flow</li> </ul>
• LCD display for	<ul style="list-style-type: none"> <li>• Sample stream: S1, S2, S3, S4</li> <li>• Sample components: e.g. CO<sub>2</sub>, propane, etc.</li> <li>• Measured value of sample as numeric value</li> </ul>
Recommended operator panel	
• Personal computer	Desktop or laptop
• Processor	At least Pentium III
• Clock	≥ 800 MHz
• Interfaces	1 x Ethernet
• Operating system	Windows XP or 7
• Software	Gas chromatograph portal, from version 1.02



Selection and ordering data	Article No.
<p><b>MicroSAM process gas chromatograph</b>                      Basic unit, mounted on holding bracket                      For 3 sample streams + 1 calibration stream                      For ambient temperatures from -20 to 50 °C                      Explosion-proof, for Zone 1 and Class I Div.1                      Power supply 24 V DC                      For post, pipe or wall mounting</p> <p>↗ Click on the Article No. for the online configuration in the PIA Life Cycle Portal.</p>	<p>↗ 7KQ3101-</p>
<p><u>Sample</u>                      For gaseous sample                      For gaseous sample (standard UKOG)</p>	<p>0 8</p>
<p><u>Workstation operating software</u>                      (1 workstation operating software required per GC network)</p> <p>Without operating software                      With workstation operating software</p>	<p>A B</p>
Additional versions	Order code
<p>Add "-Z" to Article No. and specify Order codes.</p>	
<p><b>Application modules</b>                      See description at function of application modules</p>	<p>D01, D02, D06, D08, D09, D11</p>
<p><b>Standard applications with defined hardware</b></p>	
<p><u>Method development in the application</u></p>	
<p>Standard</p>	<p>C01</p>
<p>Special application<sup>1)</sup></p>	<p>C04</p>
<p><u>Acceptance and customer information</u>                      (in agreement with application laboratory)</p>	
<p>Remote acceptance</p>	<p>J01</p>
<p>Factory acceptance, 1 day</p>	<p>J02</p>
<p>Factory acceptance, 2 days</p>	<p>J03</p>
<p>Factory acceptance, 3 days</p>	<p>J04</p>
<p><u>Repeatability test</u></p>	
<p>Standard (2 hours)</p>	<p>E01</p>
<p>Up to 8 hours</p>	<p>E02</p>
<p>Up to 24 hours</p>	<p>E03</p>
<p>Up to 72 hours</p>	<p>E04</p>
<p><u>Data transmission</u></p>	
<p>Modbus mapping (during commissioning)</p>	<p>F01</p>
<p><u>Inputs/outputs via I/O-Extender</u></p>	
<p>Separate supply of the I/O Extender module                      (without protective casing, not for hazardous areas)                      4 digital inputs, 4 digital outputs, 2 analog inputs, 4 analog outputs</p>	<p>K01</p>
<p>Analog values via external unit (standard package 1); Zones 1 and 2                      4 digital inputs, 4 digital outputs, 2 analog inputs, 4 analog outputs</p>	<p>K02</p>
<p>Analog values via external unit (standard package 2); Zones 1 and 2                      12 digital inputs, 12 digital outputs, 6 analog inputs, 12 analog outputs</p>	<p>K03</p>
<p>Analog values via external unit (standard package 3); Class I Div 2                      4 digital inputs, 4 digital outputs, 2 analog inputs, 4 analog outputs</p>	<p>K04</p>
<p>Analog values via external unit (standard package 4); Class I Div 2                      12 digital inputs, 12 digital outputs, 6 analog inputs, 12 analog outputs</p>	<p>K05</p>
<p><u>Miscellaneous calculations and functions</u>                      using BASIC interpreter integrated in the GC</p>	
<p>MicroSAM Basic Editor</p>	<p>H01</p>
<p>Application setup: Calculations in accordance with ISO 6976-95</p>	<p>H02</p>
<p>Application setup: Natural gas - calculations in accordance with GPA 2172-96</p>	<p>H03</p>
<p>Application setup: Natural gas - calculations in accordance with GOST 22667-82</p>	<p>H04</p>
<p>Application setup: Natural gas - customer-specific calculations</p>	<p>H05</p>



<sup>1)</sup> On request

## Process Gas Chromatographs

### MicroSAM

#### Support bracket

For easy mounting, incl. support for 8 gas connections consisting of:

- Mounting part: Dimensions: 380 mm x 110 mm (WxH)
- Bracket for gas connection; dimensions 146 mm x 110 mm (DxH)  
Bracket on right side, mounted at right angle

The bracket is stipulated in the manual.

#### Exception

The bracket is not required if the MicroSAM is fitted in a protective casing approved by Siemens. In this case, however, shipping of the unit is only permissible in this protective casing.

#### Sample streams

For up to 4 sample streams (including calibration stream); e.g. 3 sample streams + 1 calibration stream; controlled by 4 internal digital outputs (relay contact 0.4 A / 24 V DC)

#### Pos. 8\_0: For gaseous sample

This position contains a basic unit prepared for integration of the analyzer modules.

#### Pos. 8\_8: Standard UKOG

Individual customers standard.

#### Pos. 9\_B: Workstation operating software

The workstation operating software can only be ordered together with MicroSAM. Workstation operating software is required for each gas chromatograph network.

#### C01 – Method development and application

Comprehensive and specific development of the method is required for the tasks.

The measured components and switching functions are entered completely using a customer sample (or a specially selected calibration gas). Proof of repeatability is carried out in accordance with the customer specification.

If a natural gas analyzer for calculation of the calorific value is ordered, the evaluation parameters are specifically optimized for the natural gas analysis.

The required BASIC programs (H0X) are installed in the gas chromatograph.

The retention time window C6+ is set to the measured components n-C6 to C9.

#### J0X – Acceptance and customer information

The scope of delivery is checked and the documentation and operation of the device explained in detail during the factory acceptance.

This also comprises presentation of the analytical solution including communication, chromatograms, piping plan and gas path plan. If present, inspection of the sample preparation and discussion of the documentation are carried out.

Please supplement the order for J02 to J04 by the desired option from E0x.

Only experienced MicroSAM users should consider the option for starting up the MicroSAM in the context of remote acceptance, e.g. using a telephone conference (on request).

#### E0x – Repeatability test

Proof of repeatability over a period of 2 h is included as standard. Longer proof of repeatability for the unit can be ordered using the supplements E02 to E04.

#### F01 – Data transmission over Modbus

Implementation and testing of a Modbus table for Modbus communication (RS 232 / RS 485 RTU).

#### K0X – Inputs/outputs via I/O Extender

The MicroSAM basic unit provides four digital inputs and outputs. If more interfaces are required, these are provided by the I/O Extender. It should be noted, however, that the I/O Extender requires two device-internal digital inputs and outputs. The I/O Extender solution can generate up to 12 additional analog outputs for the chromatograph (further inputs and outputs on request). The latest generation of NESSI components for sample preparation can also be controlled. The max. cable length between MicroSAM (including master cable) and I/O-Extender must not exceed 20 m. A 24 V DC power supply is required for the I/O Extender. This must be provided separately, but can also be covered by the power supply of the MicroSAM.

#### Note:

If the delivery is to include a protective casing from the Set CV range, please refer to this category in Catalog PA 01. There you can find more information on the I/O Extender and its specification within this total solution.

#### K02 or K04 standard packets 1/3

This position includes:

- Mounting rail
- An I/O Extender module
- Protective casing, Ex e with standard cable glands and terminal block; 170 x 227 x 131 mm (L x W x D)

The delivery package of the I/O Extender solution for Class I Div 2 contains adapters (female thread 1", 3/4", 1/2" for fitting of conduits) which are suitable for cable glands in accordance with this hazardous area.

#### K03 or K05 standard packets 2/4

This position includes:

- Mounting rail
- Three I/O Extender modules
- Protective casing, Ex e with standard cable glands and terminal block; 340 x 170 x 131 mm (L x W x D)

The delivery package of the I/O Extender solution for Class I Div 2 contains adapters (female thread 1", 3/4", 1/2" for fitting of conduits) which are suitable for cable glands in accordance with this hazardous area.

#### H0X - Various calculations and functions using BASIC interpreter integrated in the GC

The BASIC programs are either preset ex-works or can be created and modified by the user.

#### H01 – MicroSAM BASIC Editor

The MicroSAM BASIC Editor allows individual programming of calculations and functions by the user.



**H02 - Application setup: Natural gas - calculation in accordance with ISO 6976-95**

The following physical variables must be calculated in accordance with the standard: calorific value, heating value, Wobbe index, density, relative density.

The calorific value is calculated as standard in MJ/m<sup>3</sup> on a molar basis referred to the reference temperature 25 / 0 °C (combustion/metering temperature). Calculation on the basis of other reference variables or tables (in accordance with the standard) requires unambiguous specification by the customer.

The BASIC program is preset ex works; a customer modification is only possible with the supplement H01.

**H03 - Application setup: Natural gas - calculation in accordance with GPA2172-96**

The following physical variables must be calculated in accordance with the standard: calorific value, relative density and compressibility factor.

The calorific value is calculated as standard in BTU/ft<sup>3</sup> (S) referred to the reference temperature 60 °F. Calculation on the basis of other reference variables or tables (in accordance with the standard) requires unambiguous specification by the customer.

The BASIC program is preset ex works; a customer modification is only possible with the supplement H01.

**H04 - Application setup: Natural gas - calculation in accordance with GOST22667-82**

The following physical variables must be calculated in accordance with the standard: calorific value, heating value, Wobbe index, relative density.

These parameters are calculated based on the physical properties of the pure components. As a special feature, the methane concentration is defined as the residual value in this operating mode.

The BASIC program is preset ex works; a customer modification is only possible with the supplement H01.

**H05 - Application setup: Customer-specific calculations and functions**

An unambiguous description of the task is required in order to guarantee correct functioning of the program.

The BASIC program is preset ex works; a customer modification is only possible with the supplement H01.

The supplement H03 is only possible together with C0X.

	Calibration gas I in vol.%	Calibration gas II in vol.%	Calibration gas III in vol.%
1.2-butadiene	–	–	0.1
1.3-butadiene	–	–	0.1
1-butene	–	–	0.1
2.2 dimethylpropane	0.3	0.3	–
cis-2-butene	–	–	0.1
Cyclopropane	–	–	0.1
Ethane	4	4	0.1
Ethene	–	–	0.1
Ethine	–	–	0.1
Ethyl acetylene	–	–	0.1
Helium	–	–	Remainder
Isobutane	0.5	0.5	0.1
Isopentane	0.3	0.3	–
Isopentane	–	–	0.1
Carbon dioxide	2	2	–
Methane	Approx. 85	Approx. 84.5	0.1
Methyl acetylene	–	–	0.1
n-butane	0.5	0.5	0.1
n-heptane	0.05	0.05	–
n-hexane	0.05	0.05	0.1
n-pentane	0.3	0.3	0.1
Propadiene	–	–	0.1
Propane	2	2	0.1
Propene	–	–	0.1
Oxygen	0.1	–	–
Nitrogen	5	5	–
trans-2-butene	–	–	0.1
Vinyl acetylene	–	–	0.1
Hydrogen	–	0.5	–

Standard calibration gases for system test and run-out



Box with I/O Extender

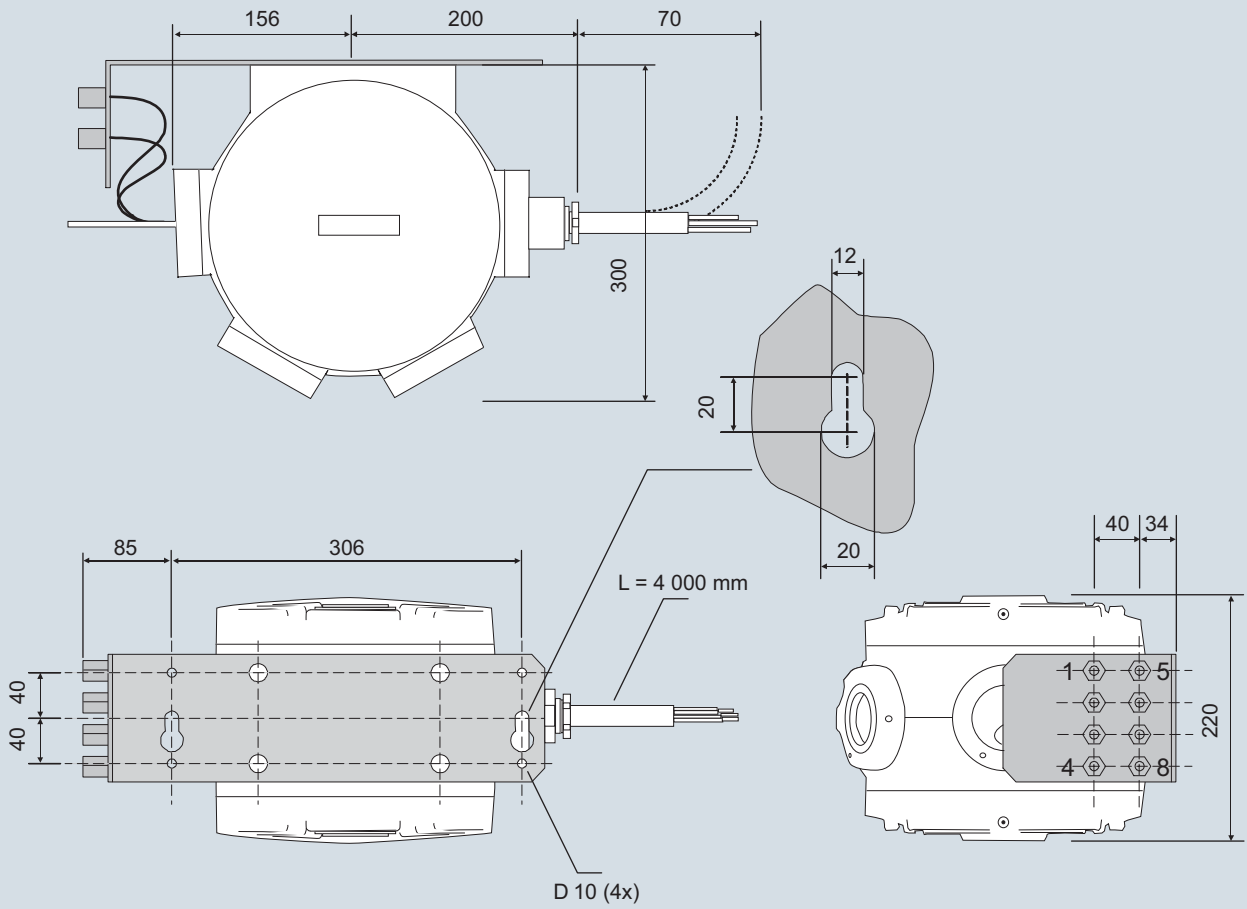




# Process Gas Chromatographs

## MicroSAM

### Dimension drawings



MicroSAM, dimensions in mm

